

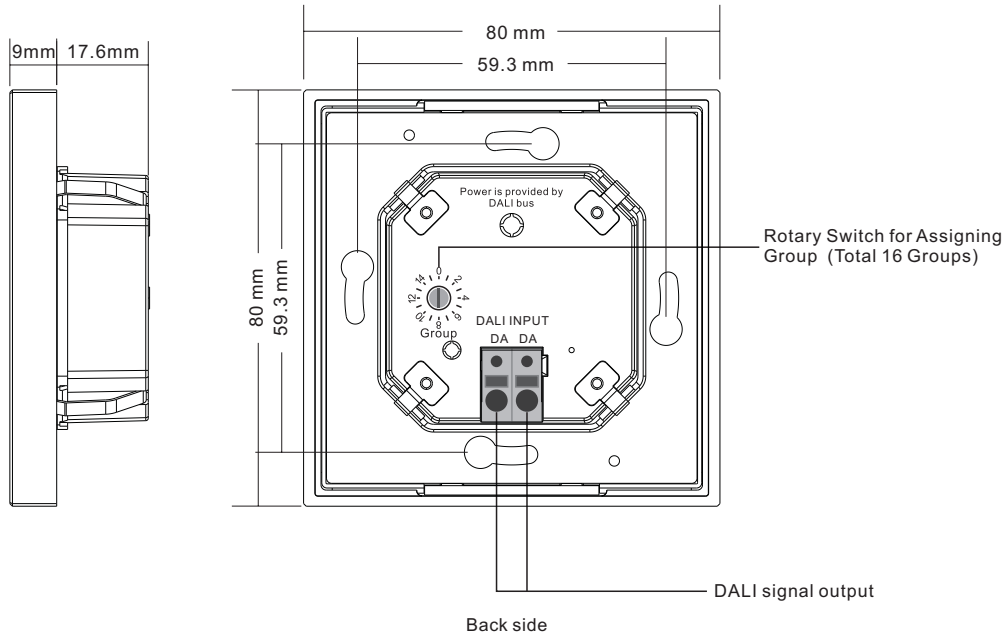
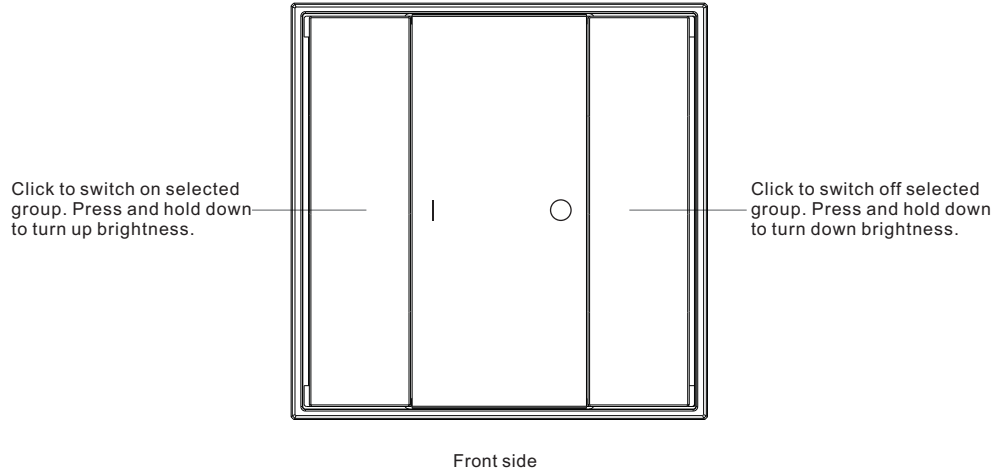
Push Button Single Color DALI Controller

09.2402K2D.04758



Important: Read All Instructions Prior to Installation

Function introduction

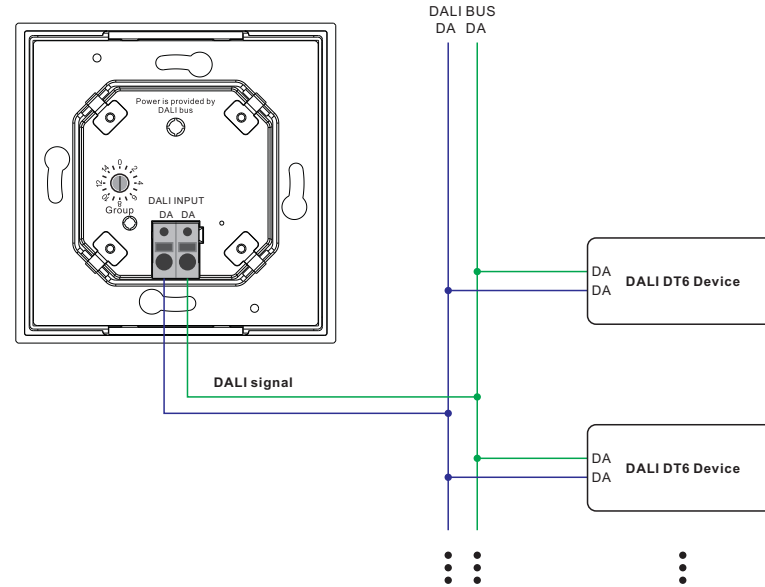


Product Data

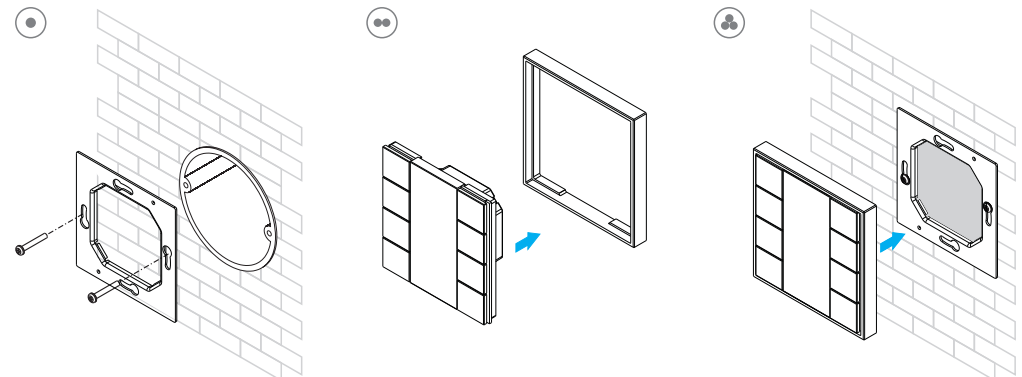
Output	DALI signal
Power Supply	Supply By DALI Bus
Operation Current	30mA
Operating temperature	0-40°C
Relative humidity	8% to 80%
Dimensions	80x80x26.6mm

- DALI DT6 push button controller
- Ultra slim and luxury design
- Material and finishing color can be customized
- With back lighting design, easy to find even in dark night
- DALI bus powered, no extra power supply required
- Each channel DALI bus can install multiple controllers
- Enables to select and control 1 DALI group from total 16 DALI groups
- Easy installation with mounting bracket
- Waterproof grade: IP20

Wiring Diagram



Installation



Safety & Warnings

- DO NOT installed with power applied to device.
- DO NOT expose the device to moisture.

Operation

1. Do wiring according to connection diagram correctly.

2. Set starting Group number via rotary switch on the back: (0-15 selectable)

- This DALI push button controller enables dimming commands to be sent to one Group of devices on the DALI circuit. A rotary switch on the back is used to select the DALI Group you would like to control and set the starting Group number, and total 16 Groups (0-15) can be selected.
- When the rotary switch arrow position is at 0, the controller controls all devices on DALI circuit through broadcast.
- When the rotary switch arrow position is at X except 0 (1-15), the controller controls DALI Group X-1.

For example: Rotary switch arrow at 1, the controller controls DALI Group 0. Rotary switch arrow at 15, the controller controls DALI Group 14.

Please refer to the detailed Group setting table as follows:

Rotary Switch Position	0	1	2	3	4	5	6	7	8	9	10	11	12	13	14	15
DALI Group Selected	Broadcast	0	1	2	3	4	5	6	7	8	9	10	11	12	13	14

Note: please assign the devices on DALI circuit to a DALI group(0-15) with DALI master controller first.